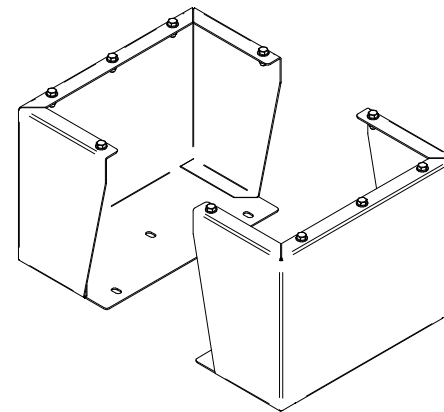
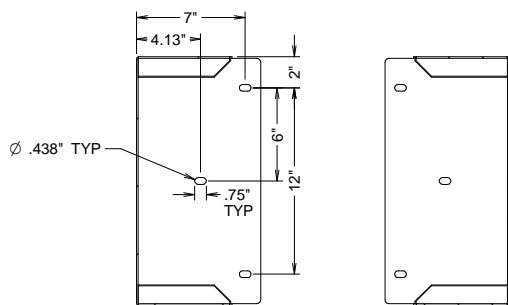
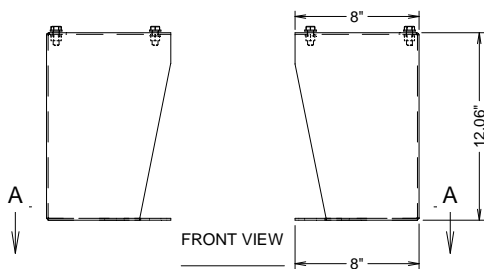
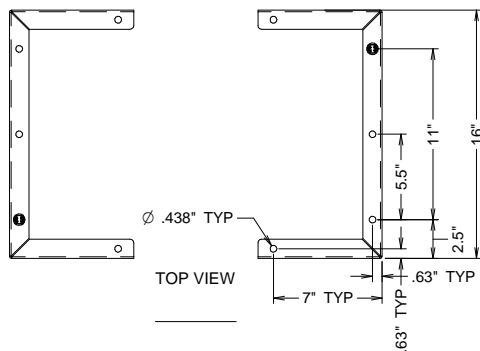



6 5 4 3 2 1



ORTHOGRAPHIC VIEWS ARE  
DRAWN AT 1:1 SCALE  
(PRINTED SCALE MAY VARY)

|  |                  |                        |  |
|--|------------------|------------------------|--|
| NAME   | DATE             | CUSTOMER:              |  |
| DRAWN BY: nate   | 10/08/12         | CUSTOMER NAME          |  |
| <br>4680A NASH ROAD<br>SCOTT CITY, MO 63780<br>PH: (573) 986-9400<br>FAX: (573) 986-9499<br>WEB PAGE: electrical-enclosures.com |                  | TITLE: FLOOR STAND KIT |  |
|  |                  | 12.063"H x 16.000"D    |  |
| H  | FINISH: nn<br>nn | LAST CHANGED: 00-00-00 |  |
| FILE: SPFSK-1216 Approval  |                  |                        |  |
| CUST. DWG. nn  |                  | REV. -                 |  |
| MAT.: 12 GA. CARBON  |                  | SHEET 1 OF 1           |  |

6 5 4 3 2 1